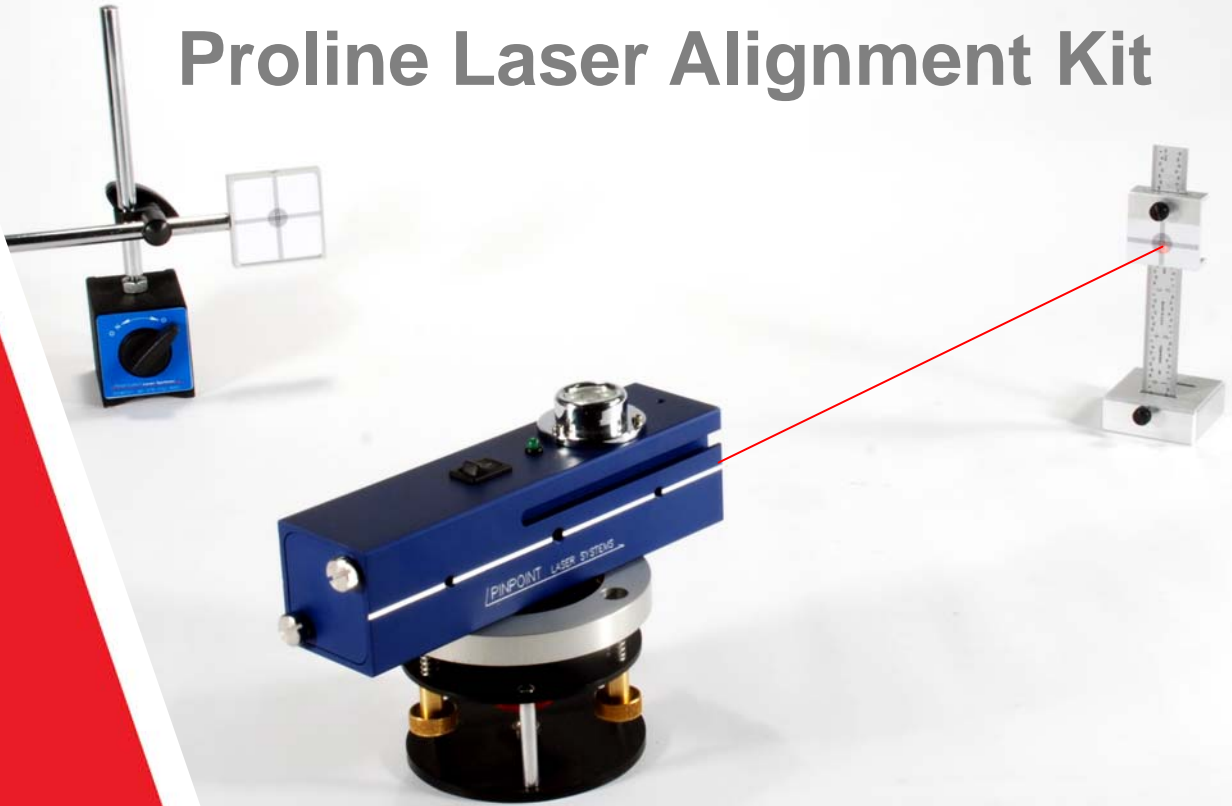
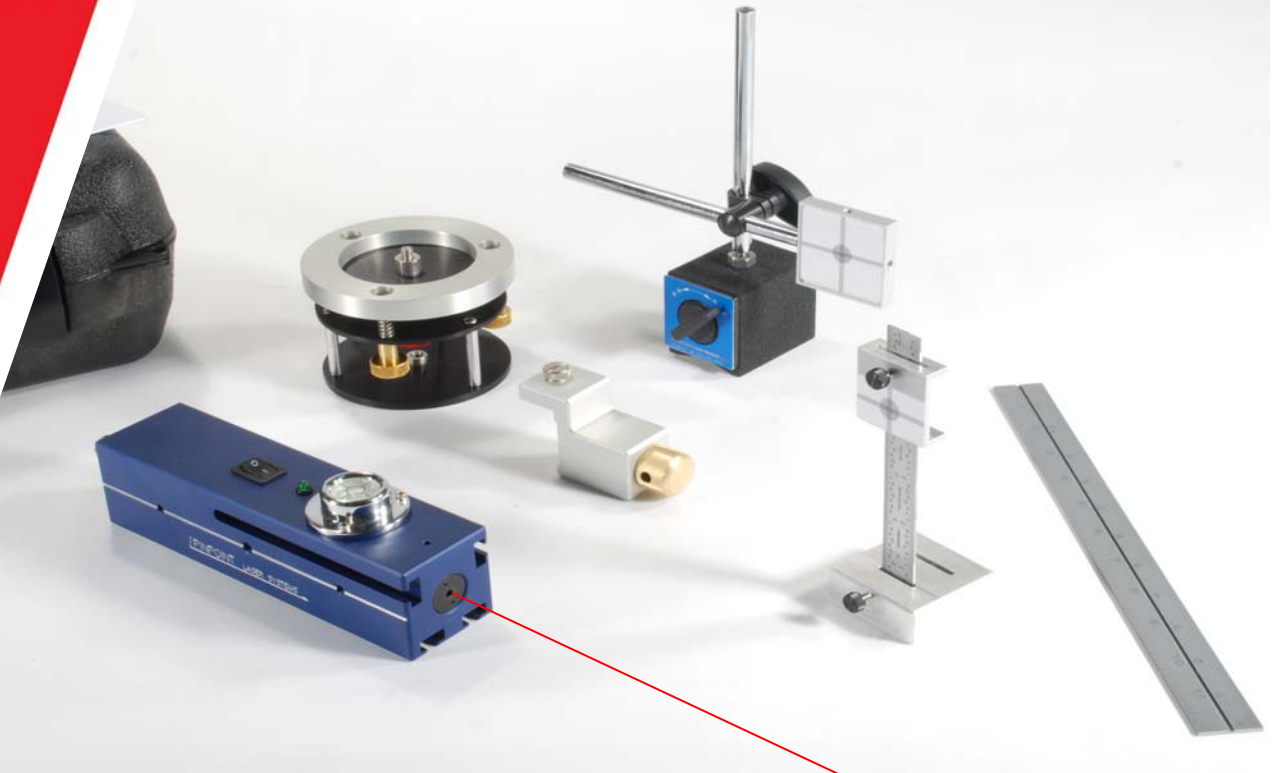


Proline Laser Alignment Kit



A precision visual alignment laser for all industrial projects.

Pinpoint
Laser Systems
Industry Aligned



Pinpoint
Laser Systems

Are you looking for a low cost alignment system?

The **Proline Laser Alignment Kit** is the newest addition to the Pinpoint alignment and measuring product line. The popular Pinpoint Laser Microgage is an industry standard for precision measuring and alignment and yet many customers do not require precision of 0.0001 inch (0.0025mm), but do need a top quality visual laser for their needs.

The **Pinpoint Proline Alignment Kit** combines the features of a transit, an infinitely long straightedge, and laser alignment system all in one compact, portable, versatile design. Precision laser alignment for production, maintenance, and plant engineering projects, both large and small, has never been so easy.

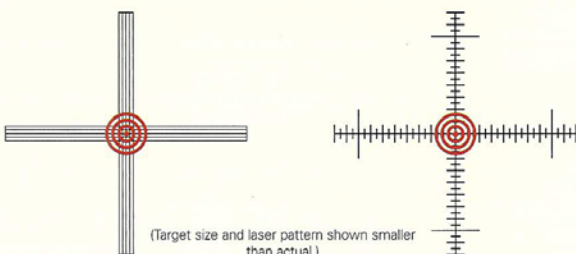
This innovative laser is enclosed within a precision machined housing, ensuring that the laser reference beam is parallel to the side and base surfaces within 0.003 degree, or <0.030 inch at 50 feet. This level of accuracy is ideally suited for setting straight machinery runs, aligning production equipment, transferring mechanical points, locating shafts and bearing mounts, aligning belts and pulleys, and countless other industrial tasks.

The **Proline Laser** produces a crisp, collimated laser reference beam that forms a bulls-eye pattern for easy visual alignment and precise measuring. A finely ruled target and magnetic base are easily positioned for checking alignments, allowing one person to perform the work of several. A growing line of versatile targets, mounts and attachments expands the capabilities of the **Proline Laser**.

The Proline Alignment Kit is a versatile, inexpensive tool that will provide you with the accuracy that you need to keep your equipment running smoothly and efficiently, will save you time and money. This visual laser system is used for checking and measuring squareness, flatness, straightness, parallelism and perpendicular measurements. The Proline is calibrated to the unique method that is used on all of our Microgage Products. This product, along with all Pinpoint Laser Systems products, are of a well-built quality that is unsurpassed. All Pinpoint products are proudly made in the U.S.A.



Examples of target patterns available from PINPOINT Laser Systems.

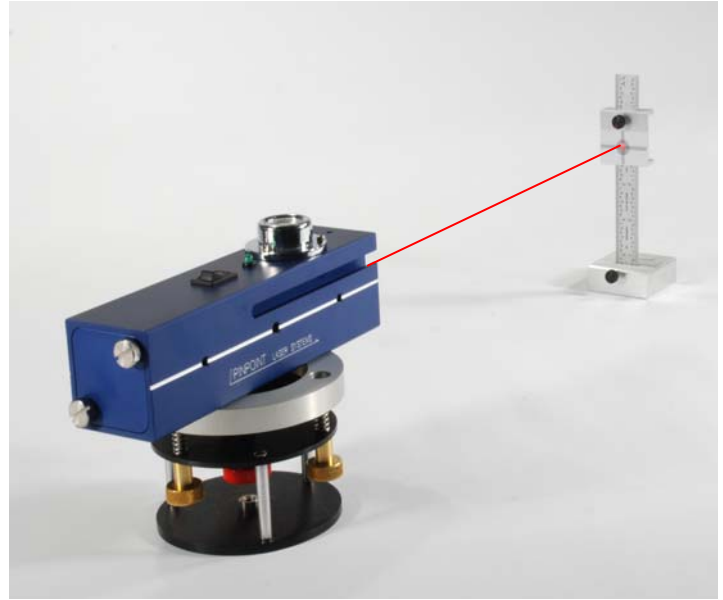


Customized target patterns available.



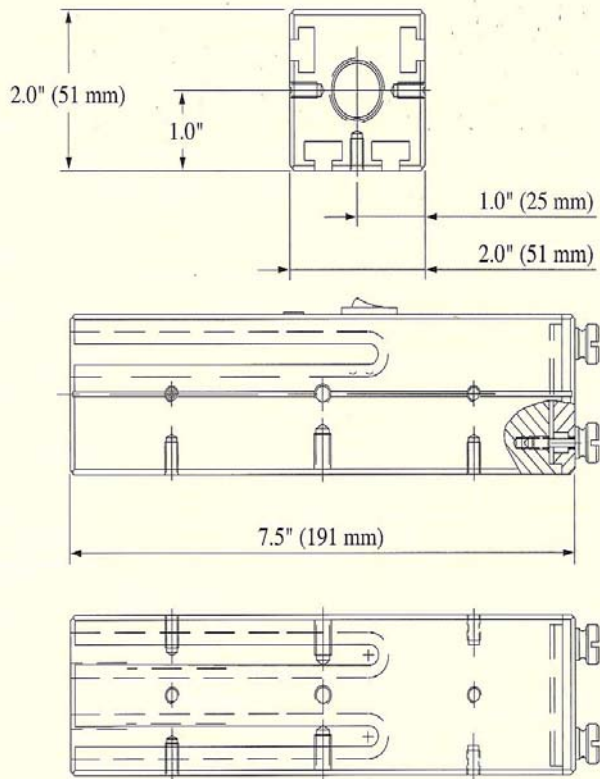
Features

- ⇒ Precise collimated laser with bulls-eye pattern
- ⇒ Accurate to 0.030" at 50 foot range
- ⇒ Reference surfaces machined flat & true
- ⇒ Features T-slot & threaded mounts
- ⇒ Includes 0.025 inch precision ruled scales
- ⇒ Adjustable & magnetic mounting base provided
- ⇒ Leveling base included for planes
- ⇒ Precision right angle for squaring & parallel
- ⇒ Operates on 4 AA batteries for convenience
- ⇒ Includes rugged carrying case & manual
- ⇒ Accessories available to expand capabilities



Specifications

- ⇒ Alignment of laser to housing of \leq to 0.030 inch at 50 feet (0.001)
- ⇒ Working range of 1 ft. to 150 feet.
- ⇒ Laser Beam Size: 0.150" diameter, crisp bulls-eye pattern
- ⇒ Target: Adjustable Magnetic mount with 0.025" ruling (other options available)
- ⇒ Housing Flatness: \leq 0.005 inch
- ⇒ Mounting Features: 0.25" T-slots, 1/4-20 & 10-32 threaded holes
- ⇒ Power Requirements: 4 AA batteries
- ⇒ Run Time: 20 hours (approx)
- ⇒ Controls & Indicators: switch, laser on & low power LED
- ⇒ Housing Material: solid machined aluminum, anodized coating
- ⇒ Weight: 2 lbs. 9 oz. with batteries



Pinpoint Customers use the *Proline Alignment Kit* for:

Aligning: Production machinery, long shaft runs, pressing tools, actuators and robot systems, belts and pulleys.

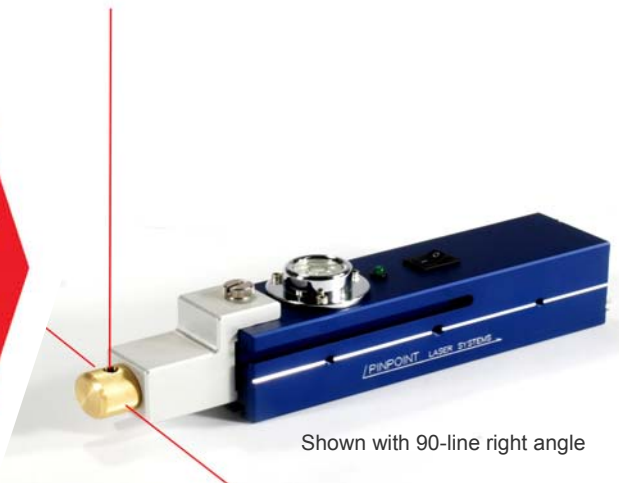
Checking: Conveyor alignment, assembly systems, slide and table run-out.

Installing: Large machine beds, gantry placement, shafts, bearings & gearboxes, and large fixture assemblies.

Measuring: Rail and surface flatness, deflection of parts, and much more.

Benefits

- ⇒ Versatile for a range of applications
- ⇒ Simplifies alignment operations
- ⇒ Aids In QA/QC procedures
- ⇒ Reduces machine downtime
- ⇒ Improves productivity
- ⇒ Quick return on investment



Shown with 90-line right angle



Some of our satisfied customers.....

3M Corporation

Air Control Science

Boeing

Centre de Photonique du Quebec

Charter Supply Company

Dupont

FTC UK Ltd

GasTops

General Dynamics

Gladding-Hearn Shipbuilding

Grupo Teknos

Hewlett Packard

Kal Kan Foods

Kimberly Clark

Laser Optics

Mustang Technology

Osram Sylvania

Otis Elevator

Pactiv Corp

Rice Electronics

Siemens Medical

U.S. Naval Academy

Vigo Machine Shop

Zoofi Tech Co Ltd

56 Pulaski Street, Unit 5 Peabody, MA 01950 U.S.A.

Tel: 1-800-757-5383 Outside the U.S. (01) 978-532-8001 Facsimile: 978-532-8002

E-mail: info@pinlaser.com Website: www.pinlaser.com